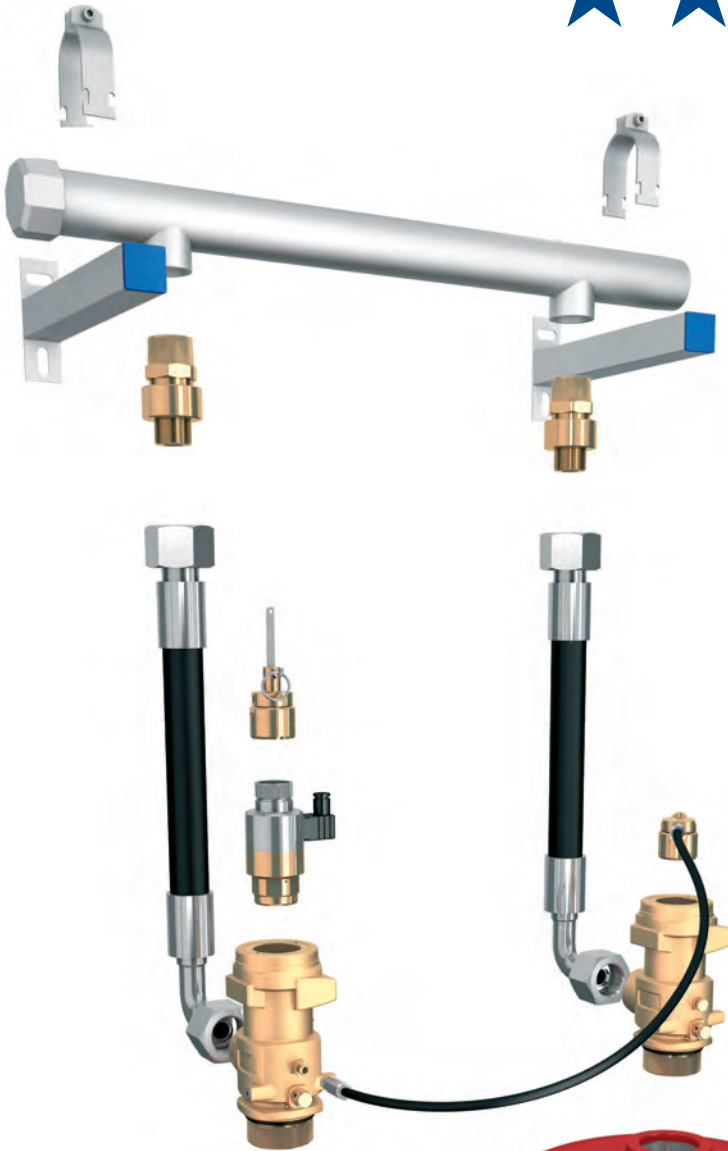




ROTAREX
FIRETEC



CLEAN AGENT
EQUIPMENT FOR CLEAN AGENT
FIRE SUPPRESSION SYSTEMS

JUNE 2018

TABLE OF CONTENTS

A COMPLETE COMPONENT SOLUTION	P.004
PRODUCT RANGE OVERVIEW	P.006
TECHNOLOGY OVERVIEW	P.008
- Valve Technologies	P.008
CYLINDER VALVES	P.010
- Series B0481 valve	P.010
- Series B0482 valve	P.011
ACTUATION DEVICES & ACCESSORIES	P.012
- Manual & pneumatic actuators	P.012
- Electromagnetic actuators	P.012
- Actuator accessories	P.013
- Pressure gauges	P.014
- Pilot hoses	P.015
DISCHARGE HOSES, NOZZLES & ACCESSORIES	P.016
- Discharge hoses	P.016
- Check valves	P.016
- Pressure & flow detector	P.017
- Pneumatic directional valves	P.017
- Control panel	P.018
- Blocking device	P.018
- Nozzles	P.019
SPECIAL APPLICATIONS	P.020
- Series B0480 valves	P.020
- Series B0439 valves for clean agents	P.021

Rotarex Firetec system components are approved and certified compliant with recognized international norms. Certifications relate to individual products, and are clearly indicated on each respective product page.

In addition, all Rotarex manufacturing sites comply with ISO 9001 quality standards.



1 Compliant with the Construction Products Regulation (CPR) V3 Oct. 2014
2 According to the Pressure Equipment Directive (97/23/EC)

COMPONENTS FOR CLEAN AGENT SYSTEMS

Rotarex offers components needed to configure clean agent fire suppression system.

- **Components entirely compatible and interchangeable**
- **Easier and faster installation - No "bad surprises"**
- **Everything to the same high-specification**
- **Greater confidence in performance at the critical time**
- **Full warranty protection**
- **Simplicity of a single supplier**

Rotarex makes it easy for system engineers and installers to configure fixed suppression systems. Choose exactly the components you need.

For maximum ease and certainty of performance, specify Rotarex components to configure the entire system.

A complete component solution		
1	Valve	Page 10
2	Manual release device	Page 13
3	Pneumatic release device	Page 13
4	Electromagnetic release device	Page 13
5	Bleed valve	Page 14
6	Pressure Gauge with pressure switch	Page 16
7	Pilot hose	Page 16
8	Check valve	Page 17
9	Discharge hose	Page 17
10	Nozzle	Page 19
11	Manifold	Available soon
12	Bracket for manifold	Available soon



SERIES B048 VALVES, ACTUATORS AND ACCESSORIES



SERIES B0481
Ø49mm valve for clean agent systems

P. 010



SERIES B0482
Ø33 mm valve for clean agent systems

P. 011

ACTUATORS & ACCESSORIES



MANUAL ACTUATORS

P. 012



MANUAL/PNEUMATIC ACTUATORS

P. 012



PNEUMATIC ACTUATORS

P. 012



ELECTROMAGNETIC ACTUATORS

P. 012



MONITORING SWITCH

P. 013



BLEED VALVE

P. 013



PRESSURE GAUGES

P. 014



PILOT HOSE

P. 015

DISCHARGE HOSES, NOZZLES & ACCESSORIES



DISCHARGE HOSES P. 016



CHECK VALVES P. 016



PRESSURE & FLOW DETECTOR SWITCH P. 017



PNEUMATIC DIRECTIONAL VALVES P. 017



CONTROL PANELS
For pneumatic directional valves P. 018



BLOCKING DEVICE
For pneumatic directional valves P. 018

NOZZLE



NOZZLES P. 019

SPECIAL APPLICATIONS



VALVES AND ASSEMBLIES FOR PILOT CYLINDERS P. 020

VALVE TECHNOLOGIES

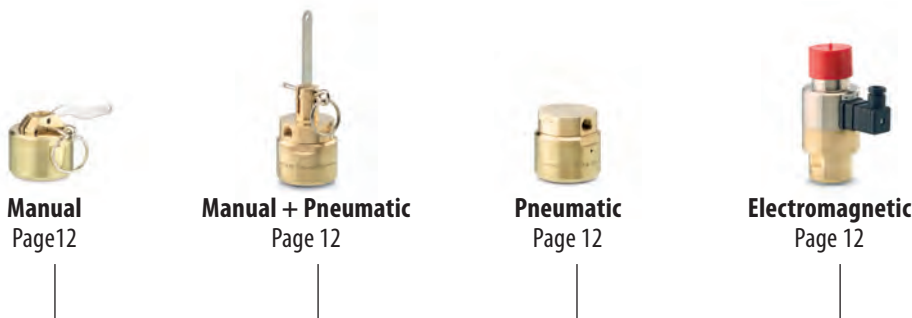
ROTAREX: THE VALVE EXPERT

Rotarex is the world leader in high-performance cylinder valves for fixed extinguishing systems as well as Ultra High Purity, Medical, Cryogenic, Automotive and LPG applications. They leverage 90-year expertise, vast R&D infrastructure and global scale to provide the most technically advanced and dependable fire suppression valves in the market. Trust Rotarex valves to perform when it most counts.



SERIES B048

Large-orifice clean agent valves with flexibility of actuation methods.
For all Clean Agent installations



Can be used with a range of different actuators



SERIES B0481
Ø49 mm ORIFICE



SERIES B0482
Ø33 mm ORIFICE

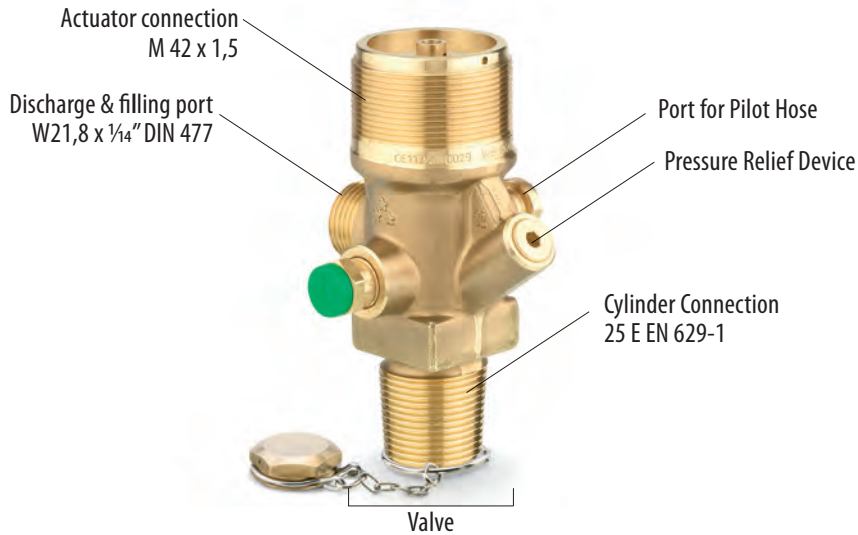
SPECIFICATIONS

Working pressure	25 to 50 bar	Temperature range	-20°C to +60°C	Burst disc pressure	Choice of 50 bar or 78 bar. Others on request.
Valve body	Brass				

VALVE TECHNOLOGIES (continued)

SERIES B0480

42 bar valve for use in special applications - usually as a pilot cylinder valve for clean-agent installations.

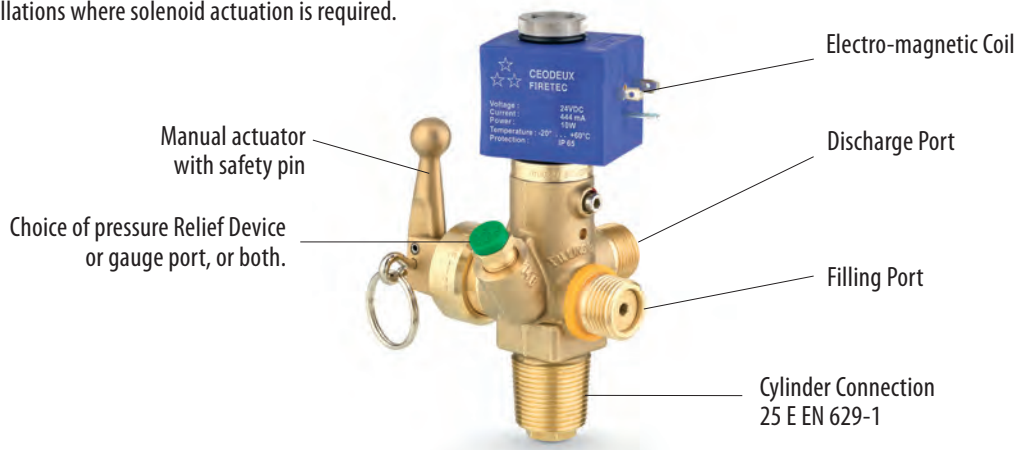


SPECIFICATIONS

Working pressure	42 bar	Seat orifice size	12 mm	Temperature range	-20°C to +60°C
Valve body	Brass	Outlet port	W21,8 x 1/4" DIN 477	Burst disc pressure	Available in 78 bar versions. Other burst pressures on request.

SERIES B0439

200 bar valve with Fixed and Solenoid Actuation for use in 25-50 bar clean agent applications. Can be used as a pilot cylinder valve or for smaller, single cylinder installations where solenoid actuation is required.



SPECIFICATIONS

Max pressure	200 bar	Seat orifice size	7 mm	Operating voltage	24 VDC
Working pressure	25 - 50 bar	Temperature range	-20°C to +60°C	Power consumption	10 watt
Valve body	Brass	Burst disc pressure	Must be adapted to the working pressure		

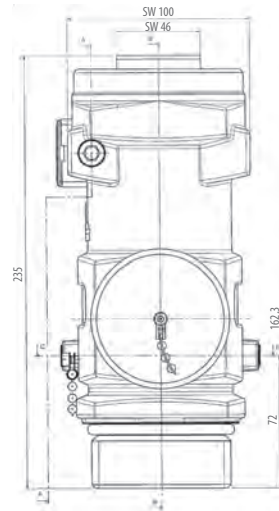
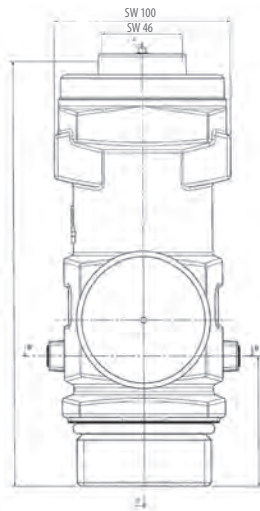
SERIES B0481 VALVES - Ø49 mm ORIFICE

Large orifice (49 mm) valve for Clean Agent fire suppression systems.



KEY FEATURES

- Large 49 mm orifice for high flow and rapid discharge
- Available with or without solenoid
- Choose from a large range of manual, pneumatic and electronic actuators (see p.12)



FM-200 or NOVEC

	Without Solenoid		With Solenoid	
	B04810124	B04810110	B04810119	B04810109
Product code	B04810124	B04810110	B04810119	B04810109
Discharge type	Total	Total	Total	Total
Working pressure	25 bar	42 bar	25 bar	42 bar
Orifice size	Ø 49 mm	Ø 49 mm	Ø 49 mm	Ø 49 mm
Inlet connection	3" male	3" male	3" male	3" male
Outlet Connection	2 1/2" male	2 1/2" male	2 1/2" male	2 1/2" male
Burst disc pressure	50 bar	78 bar	50 bar	78 bar
Valve Body	Brass	Brass	Brass	Brass
Certification	Vds	Vds	Vds	Vds

1 Compliant with the Construction Products Regulation (CPR) V3 Oct. 2014

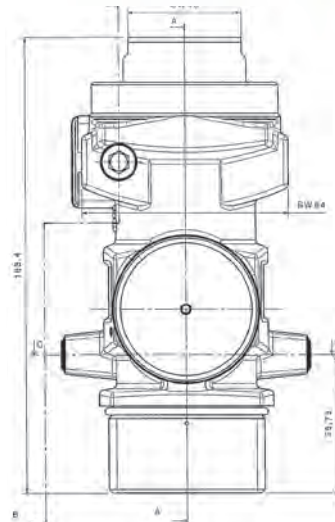
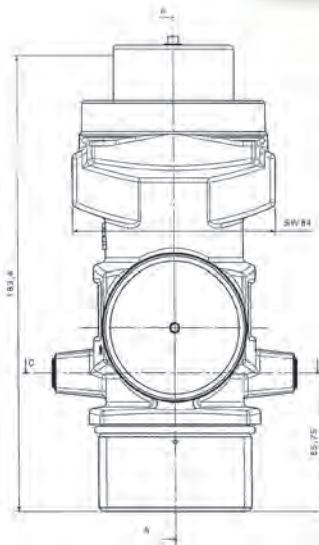
SERIES B0482 VALVES - Ø33 mm ORIFICE

Large orifice (33 mm) valve for Clean Agent fire suppression systems.



KEY FEATURES

- Large 33 mm orifice for high flow and rapid discharge
- Available with or without solenoid
- Choose from a large range of manual, pneumatic and electronic actuators (see p.12)



	FM-200 or NOVEC			
	Without Solenoid		With Solenoid	
Product code	B04820125	B04820129	B04820119	B04820128
Discharge type	Total	Total	Total	Total
Working pressure	25 bar	42 bar	25 bar	42 bar
Orifice size	Ø 33 mm	Ø 33 mm	Ø 33 mm	Ø 33 mm
Inlet connection	2,5" male	2,5" male	2,5" male	2,5" male
Outlet Connection	1 7/8" male	1 7/8" male	1 7/8" male	1 7/8" male
Burst disc pressure	49 bar	78 bar	49 bar	78 bar
Valve Body	Brass	Brass	Brass	Brass
Certification	Vds	Vds	Vds	Vds

1 Compliant with the Construction Products Regulation (CPR) V3 Oct. 2014

RELEASE DEVICES

Devices to actuate the release of extinguishing agent.

For use with Series B0481, B0482 and B0480 valves.



On request



	Manual	Manual / Pneumatic		Pneumatic	
Product code	B04420100	B04420065	B04420116	B04420066	B04420076
Technology	single piston	single piston	double piston	single piston	double piston
Max. pressure	300 bar	300 bar	300 bar	300 bar	300 bar
Valve connection	M 42 x 1,5	M 42 x 1,5	M 42 x 1,5	M 42 x 1,5	M 42 x 1,5
Pneumatic connection	-	G1/8"	G1/8"	G1/8"	G1/8"
Actuation force / pressure	< 150 N	< 150 N / 20 bar	< 150 N / 10 bar	20 bar	10 bar
Body material	Brass	Brass	Brass	Brass	Brass
Height	54	136,5	156,5	50	71
Diameter	Ø50	Ø50	Ø50	Ø50	Ø50

ELECTROMAGNETIC RELEASE DEVICE

Device to electrically actuate the release of extinguishing agent.

For use with Series B0481, B0482 and B0480 valves.



KEY FEATURES

- Most commonly used as a master valve to actuate the system electronically, such as with connection to a smoke or heat detection device
- Electronically actuates the release of extinguishing agent

WITH BLOCKING DEVICE.

To temporarily unarm the system during maintenance



B04425131



B04425109

B04425132

B04425129

	B04425131		B04425109	
	With diode	Without diode	With diode	Without diode
Valve connection	M42 x 1,5	M42 x 1,5	M42 x 1,5	M42 x 1,5
Nominal voltage	24 VDC	24 VDC	24 VDC	24 VDC
Electrical connection	-	-	PG 9	PG 9
Nominal current	0,5 A	0,5 A	0,5 A	0,5 A
Protection Class	IP65	IP65	IP65	IP65
Height	135 mm	135 mm	135 mm	135 mm
Diameter	Ø 65 mm	Ø 65 mm	Ø 80 mm	Ø 80 mm

1 Compliant with the Construction Products Regulation (CPR) V3 Oct. 2014

RESET TOOL FOR ELECTROMAGNETIC ACTUATOR

Used to reset the electromagnetic actuator piston when putting the system back in active service after system discharge.



Product code	029210064
Connection	M 42 x 1,5
Material	Brass



Screws into the base of B04425XXX electromagnetic release device

MONITORING SWITCH

Monitors that the actuator is properly in place to actuate the system.

Connects to the alarm box.

Mandatory according to NFPA 2001 Standard on Clean Agent Extinguishing systems – 2015 edition.

KEY FEATURES

- Compact design: remains in the cylinder diameter
- Easy installation: simply clamps around the valve base
- Retrofit of existing installations possible



Product code	029905201	029905202
Description	Mounted on B0481 valve	Mounted on B0482 valve



BLEED VALVE

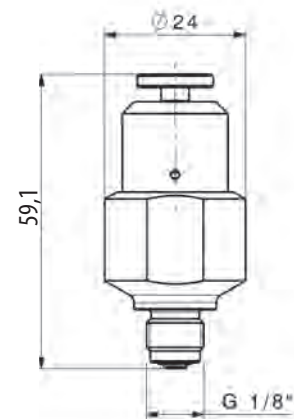
To vent overpressure and prevent false system discharge in the event of a small pressure leak from the cylinders into the pneumatic actuators.



Mounts on all pneumatic release devices



Product code	029730040
Pneumatic connection	G 1/8"
Closing pressure	between 0,7 to 1,5 bar
Flow at p=0.6 bar	6 liters/min



PRESSURE GAUGES WITH PRESSURE SWITCH

Measures and displays the cylinder pressure to verify that cylinders are properly filled and charged.

For HFC-227ea and NOVEC.

Rear mounting for use with Series B048 valves.

- Integrated pressure switch.
- Choice of NC or NO.
- Choice of 0 to 40 bar or 0 to 60 bar.



Product code	029720171	029720175	029720173	029720174
Position	NC	NO	NC	NC
Preset pressure	22,5 bar	22,5 bar	38 bar	45 bar
Scale	0-40 bar	0-40 bar	0-60 bar	0-60 bar
Connection	Rear - 2 wires	Rear - 2 wires	Rear - 2 wires	Rear - 2 wires
Diameter	Ø 55 mm	Ø 55 mm	Ø 55 mm	Ø 55 mm
Valve connection	M 10 x 1	M 10 x 1	M 10 x 1	M 10 x 1

PRESSURE GAUGES

Measures and displays the cylinder pressure to verify that cylinders are properly filled and charged.

For HFC-227ea and NOVEC.

Rear mounting for use with Series B048 Valves.

- Choice of 0 to 60 bar or 0 to 100 bar.



Product code	029720232	029720120
Scale	0-60 bar	0-100 bar
Connection	Rear	Rear
Connection	No connection	No connection
Diameter	Ø 40 mm	Ø 39 mm
Valve connection	M 10 x 1	M 10 x 1

1 Compliant with the Construction Products Regulation (CPR) V3 Oct. 2014

PILOT HOSES

Hose to connect multiple cylinders in a series.

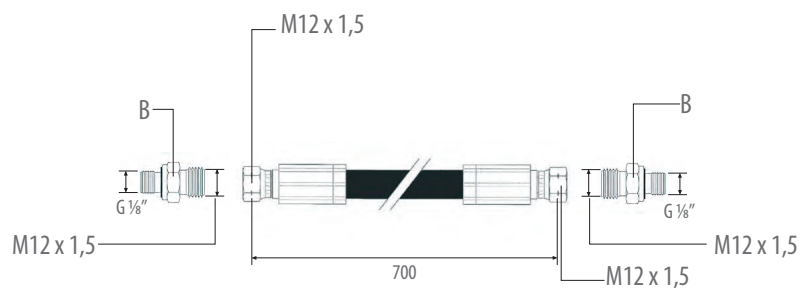
Connects a master valve or a pneumatic actuator with another pneumatic actuator.



STRAIGHT PILOT HOSE DN6



- Both ends have a straight fitting
- 400 bar working pressure
- With O-rings



	Product code	Length l	Connection	Bending radius
A2	B06920212	700 mm	2 x M12 x 1,5	75 mm
Adapter B	029510006		M12 x 1,5 / G $\frac{1}{8}$	



Each hose requires 2 adapters. Must be ordered separately.

SPECIFICATIONS

Working pressure	400 bar
Burst pressure	1600 bar
Torque	20-25 Nm

Temperature Range	-40°C to 100°C
Material	Synthetic rubber oil resistant

Interior diameter	$\frac{1}{8}$ "
Norm	EN 857 2 SC

DISCHARGE HOSES

Hose to connect the cylinder valve to the manifold in fixed fire suppression systems.



FOR VALVE SERIES B0481



FOR VALVE SERIES B0482



FOR VALVE SERIES B0480 & B0439



Product code	B06920222	B06920221	B06920226
Working pressure	53 bar	53 bar	Max. 380 bar
Burst pressure	159 bar	159 bar	1520 bar
Temperature range	-40°C to 100°C	-40°C to 100°C	-40°C to 100°C
Torque	38 - 42 Nm	38 - 42 Nm	38 - 42 Nm
Material	Synthetic rubber oil resistant	Synthetic rubber oil resistant	Synthetic rubber oil resistant
Norm	EN853 2 SN	EN853 2 SN	EN853 2 SN
Valve connection (inlet)	2 1/2" 12-UN	1 7/8" 12-UN	W21,8 x 1/4" DIN 477
Manifold connection (outlet)	R 2"	R 1 1/2"	G 3/4"
Min. bending radius	640 mm	510 mm	130 mm
Length	550 mm	500 mm	450 mm

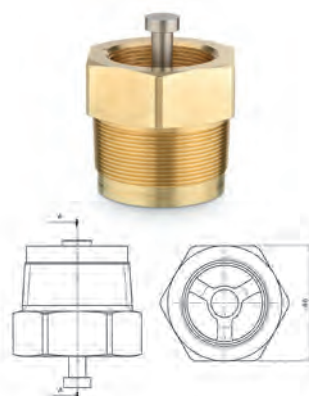
CHECK VALVE

Prevents backflow into the cylinder.

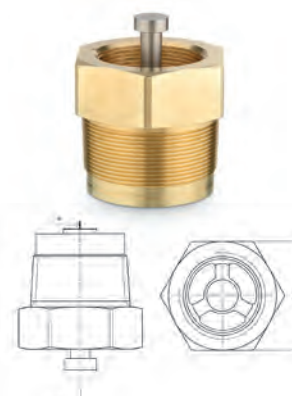
Required for each hose attachment to the discharge manifold.



FOR VALVE SERIES B0481



FOR VALVE SERIES B0482



Product code	B04600009	B04600010
Inlet connection	Rc 2"	Rc 1 1/2"
Outlet connection	R 2 1/2"	R2"
Working pressure	53 bar	53 bar
Material	Brass	Brass
Hex	80 mm	65 mm

1 Compliant with the Construction Products Regulation (CPR) V3 Oct. 2014

PRESSURE & FLOW DETECTOR SWITCH

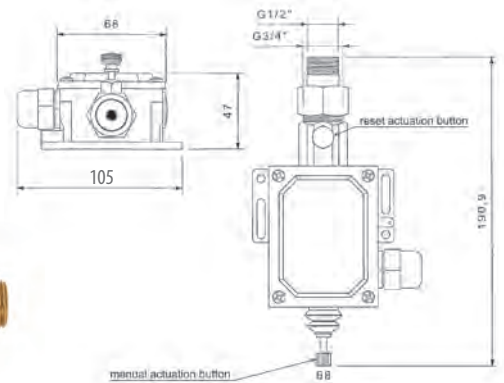
Used to send a signal that the system is discharging.

Pressure Activated.



KEY FEATURES

- Sends a signal to a control panel or alarm box at the earliest phase of discharge
- Actuated at 2 bar pressure
- Flexible Voltage/Amp power source



Product code	028250050
Opening Pressure	2 bar
Design Pressure	200 bar
Test pressure	300 bar
Connection	G 1/2"
Power source	400 VAC / 3A or 24 VDC / 10 A
Protection	IP65

PNEUMATIC DIRECTIONAL VALVE

Pneumatic or manual actuation.

Valve and actuator assembly to isolate separate protection zones from the same cylinder rack.

Includes valve + bracket + pneumatic actuator + manual wrench.

Permits discharge only in the zone with the fire.

KEY FEATURES

- Choice of 5 diameters: 1"/1,5"/2"/2,5"/3"
- 2-way ball valve
- User-defined installation position and flow-direction
- Stainless steel ball valve with steel housing
- Status indication
- IP 67



Product code - Carbon steel	B05511050	B05511150	B05511250	B05511350	B05511450
Size	1"	1,5"	2"	2,5"	3"
DN	25	40	50	65	80
Unit nominal pressure (@20°C)	140 bar	140 bar	140 bar	140 bar	140 bar
Actuation pressure	8 bar +/- 2 bar	8 bar +/- 2 bar	8 bar +/- 2 bar	8 bar +/- 2 bar	8 bar +/- 2 bar
Actuation medium	N ₂	N ₂	N ₂	N ₂	N ₂
Pilot pressure	6-10 bar	6-10 bar	6-10 bar	6-10 bar	6-10 bar
Temperature range stainless steel	-20° C to 50° C	-20° C to 50° C	-20° C to 50° C	-20° C to 50° C	-20° C to 50° C
Weight	7 kg	12 kg	14 kg	70 kg	88 kg
Seal material	POM (greased), NBR	POM (greased), NBR	POM (greased), NBR	POM (greased), NBR	POM (greased), NBR
Length	209 mm	221mm	221mm	298 mm	298 mm
Height	371,5 mm	433 mm	447 mm	583,5 mm	600 mm
Width	110,5 mm	120 mm	120 mm	137 mm	137 mm
Pipe Connector length	113 mm	130 mm	140 mm	220 mm	226 mm

1 Compliant with the Construction Products Regulation (CPR) V3 Oct. 2014

2 According to the Pressure Equipment Directive (97/23/EC)

CONTROL PANEL FOR PNEUMATIC DIRECTIONAL VALVES

Wall-mounted switching panel to control directional valve position. Sends a signal to open the directional valve in the zone with a fire.

KEY FEATURES

- Available in multiple versions from 2 to 15 zone protection
- Hose B06920212

Protection Zones	Product code	Dimensions (LxH)
2	B05520200	470 x 450
3	B05520300	470 x 450
4	B05520400	470 x 450
5	B05520500	470 x 450
6	B05520600	470 x 450
7	B05520700	700 x 450
8	B05520800	700 x 450
9	B05520900	700 x 450
10	B05521000	700 x 450
11	B05521100	700 x 450
12	B05521200	940 x 450
13	B05521300	940 x 450
14	B05521400	940 x 450
15	B05521500	940 x 450



SPECIFICATIONS

Connection thread	G¼"
Maximum inlet pressure	60 bar
Outlet operating pressure	8 bar

Operating temperature	-20°C to 50°C
Inlet connection for hi-flex hose	¼"

Nominal voltage	24 VDC
Operating medium	Nitrogen

BLOCKING DEVICE FOR PNEUMATIC DIRECTIONAL VALVES

To avoid unintentional operation of directional valves during maintenance.

Mandatory for VdS installations.

VdS

KEY FEATURES

- Easily installs between control panel and directional valve
- Can be locked with a padlock to prevent unintentional
- Two easy-to-read switch positions (open or closed)
- One for each directional valve

Product code	B05512000
Max operating pressure	10 bar
Material	24HA
Outlet thread	G ½"
Voltage	G ¼" / DN6 24 VDC



With included padlock

NOZZLES FOR HFC-227 EA

Pre-bored and preassembled discharge nozzles for HFC 227 ea fire suppression systems.

VdS

KEY FEATURES

- Available in 360° or 180° versions
- Solid Brass
- Max working pressure: 100 bar

360°

180°



Size of Thread	Orifice Diameter (mm)	360°		180°		Orifice Diameter (mm)	360°		180°	
		Product codes					Product codes			
1/2"	3,0	B04612000	B04612001	4,1	B04612012	B04612032				
	3,1	B04612002	B04612022	4,2	B04612013	B04612033				
	3,2	B04612003	B04612023	4,3	B04612014	B04612034				
	3,3	B04612004	B04612024	4,4	B04612015	B04612035				
	3,4	B04612005	B04612025	4,5	B04612016	B04612036				
	3,5	B04612006	B04612026	4,6	B04612017	B04612037				
	3,6	B04612007	B04612027	4,7	B04612018	B04612038				
	3,7	B04612008	B04612028	4,8	B04612019	B04612039				
	3,8	B04612009	B04612029	4,9	B04612020	B04612040				
	3,9	B04612010	B04612030	5,0	B04612021	B04612041				
3/4"	4,8	B04612100	B04612101	5,9	B04612112	B04612132				
	4,9	B04612102	B04612122	6,0	B04612113	B04612133				
	5,0	B04612103	B04612123	6,1	B04612114	B04612134				
	5,1	B04612104	B04612124	6,2	B04612115	B04612135				
	5,2	B04612105	B04612125	6,3	B04612116	B04612136				
	5,3	B04612106	B04612126	6,4	B04612117	B04612137				
	5,4	B04612107	B04612127	6,5	B04612118	B04612138				
	5,5	B04612108	B04612128	6,6	B04612119	B04612139				
	5,6	B04612109	B04612129	6,7	B04612120	B04612140				
	5,7	B04612110	B04612130	6,8	B04612121	B04612141				
1"	6,5	B04612200	B04612201	7,6	B04612212	B04612233				
	6,6	B04612202	B04612223	7,7	B04612213	B04612234				
	6,7	B04612203	B04612224	7,8	B04612214	B04612235				
	6,8	B04612204	B04612225	7,9	B04612215	B04612236				
	6,9	B04612205	B04612226	8,0	B04612216	B04612237				
	7,0	B04612206	B04612227	8,1	B04612217	B04612238				
	7,1	B04612207	B04612228	8,2	B04612218	B04612239				
	7,2	B04612208	B04612229	8,3	B04612219	B04612240				
	7,3	B04612209	B04612230	8,4	B04612220	B04612241				
	7,4	B04612210	B04612231	8,5	B04612221	B04612242				
7,5	B04612211	B04612232	8,6	B04612222	B04612243					
1 1/4"	8,4	B04612300	B04612301	10,0	B04612309	B04612323				
	8,6	B04612302	B04612316	10,2	B04612310	B04612324				
	8,8	B04612303	B04612317	10,4	B04612311	B04612325				
	9,0	B04612304	B04612318	10,6	B04612312	B04612326				
	9,2	B04612305	B04612319	10,8	B04612313	B04612327				
	9,4	B04612306	B04612320	11,0	B04612314	B04612328				
	9,6	B04612307	B04612321	11,3	B04612315	B04612329				
	9,8	B04612308	B04612322							
1 1/2"	11,0	B04612400	B04612401	12,2	B04612407	B04612417				
	11,2	B04612402	B04612412	12,4	B04612408	B04612418				
	11,4	B04612403	B04612413	12,6	B04612409	B04612419				
	11,6	B04612404	B04612414	12,8	B04612410	B04612420				
	11,8	B04612405	B04612415	13,0	B04612411	B04612421				
	12,0	B04612406	B04612416							
2"	12,8	B04612500	B04612501	14,6	B04612507	B04612518				
	13,1	B04612502	B04612513	14,9	B04612508	B04612519				
	13,4	B04612503	B04612514	15,2	B04612509	B04612520				
	13,7	B04612504	B04612515	15,5	B04612510	B04612521				
	14,0	B04612505	B04612516	15,8	B04612511	B04612522				
	14,3	B04612506	B04612517	16,0	B04612512	B04612523				

SERIES B0480 VALVES- Ø12 mm ORIFICE

Compact 12 mm valve
with flexibility of actuation
methods.



On request

KEY FEATURES

- Space/efficient 12mm valve with chain nut
- Requires an actuator device (see page 13)
- ATEX-approved versions available on demand
ATEX versions not for use with electromagnetic actuators



Product code	B04803005
Discharge type	Total
Working pressure	42 bar
Orifice size	Ø 12 mm
Inlet connection	25E EN-629-1
Outlet connection	W21,8x1/14" DIN 477
Burst disc pressure	78 bar
Valve Body	Brass

1 Compliant with the Construction Products Regulation (CPR) V3 Oct. 2014

SERIES B0439 VALVES FOR CLEAN AGENTS

Solenoid-actuated cylinder valves Clean Agent fire suppression systems.



KEY FEATURES

- Available in total discharge versions
- Your choice of pressure gauge, burst disc, or both
- Special connections available on request
- Operating voltage : 24 VDC
- Watt power consumption



	With burst disc	With pressure gauge connection and burst disc
Product code	On request*	On request*
Discharge type	Total	Total
Working pressure	60 bar	60 bar
Orifice size	Ø 7 mm	Ø 7 mm
Inlet connection	25E EN-629-1	25E EN-629-1
Outlet Connection	W21,8x1/14" DIN 477	W21,8x1/14" DIN 477
Gauge connection	-	M10 x 1
Dip tube connection	M10 x 0,75	M10 x 0,75
Burst disc pressure	User-defined based on working pressure	User-defined based on working pressure
Valve Body	Brass	Brass

* Code depends on burst disc pressure

1 Compliant with the Construction Products Regulation (CPR) V3 Oct. 2014

A FULL LINE OF GAS CONTROL SOLUTIONS



COMPLETE SOLUTIONS FROM SOURCE TO PROCESS.

ROTAREX is helping engineers worldwide to get better gas results: from ultra high purity production and medical care facilities to industrial and LPG applications, as well as alternative energy vehicles, fire suppression, diving, aerospace, cryogenics, laboratory, petro-chemical and welding. ROTAREX applies over 90 years of know-how and experience to custom design, develop and manufacture the high performance valves, regulators and fittings to suit your needs, all in one hand. Discover the difference ROTAREX can make in your world.

CYLINDER VALVES

EQUIPMENT

FIRETEC

AUTOMOTIVE

LPG/SRG

MEDITEC



ULTRA HIGH PURITY VALVES



MEDICAL VALVES & EQUIPMENT



INDUSTRIAL CYLINDER VALVES



REFRIGERANT CYLINDER VALVES



PRESSURE REGULATORS



SUPPLY & SWITCH OVER BOARDS



LINE VALVES



FITTINGS & ADAPTORS



**FIXED INSTALLATION
FIRE SYSTEMS**



**OBJECT FIRE SUPPRESSION
SYSTEMS**



**AUTOMOTIVE VALVES
& REGULATORS**



WATER CARBONATION



**LPG TANK VALVES
& REGULATORS**



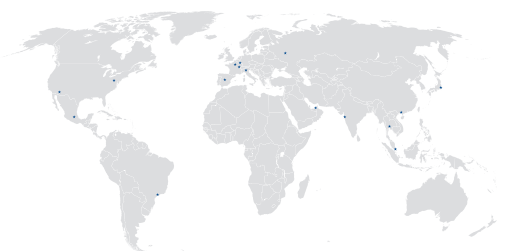
**LPG CYLINDER VALVES
& REGULATORS**



**DIGITAL MEASUREMENT
SYSTEMS**



PLASTIC INJECTION MOULDING



WORLDWIDE HEADQUARTERS

ROTAREX S.A.

24, rue de Diekirch,
L-7440 Lintgen
Luxembourg
Tel.: +352 32 78 32-1
Fax: +352 32 78 32-854
E-mail: firetec@rotarex.com



REGIONAL / COUNTRY HEADQUARTERS

NORTH AMERICA

USA

Rotarex North America
Hackettstown
E-mail: northamerica@rotarex.com

SOUTH AMERICA

BRASIL

Rotarex Brazil Ltda
São Paulo
E-mail: brasil@rotarex.com

CENTRAL AMERICA

MEXICO

Rotarex Mexico
Mexico City
E-mail: mexico@rotarex.com

EUROPE

EUROPEAN HEADQUARTERS

Rotarex S.A. Luxembourg
24, rue de Diekirch,
L-7440 Lintgen, Luxembourg
Tel.: +352 32 78 32-1
E-mail: firetec@rotarex.com

ITALY

Rotarex Italia S.r.l.
Ciliverghe di Mazzano
E-mail: italia@rotarex.com

SPAIN

Rotarex Spain
Madrid
E-mail: spain@rotarex.com

FRANCE

Rotarex France
Paris
E-mail: rotarexparis@rotarex.com

RUSSIA

Rotarex Rus
Moscow
E-mail: russia@rotarex.com

POLAND

Rotarex Polska
Brzeg
E-mail: polska@rotarex.com

ASIA - PACIFIC

SINGAPORE

Rotarex Fareast Pte Ltd
Singapore
E-mail: fareast@rotarex.com

CHINA

Rotarex Star
Shanghai
E-mail: china@rotarex.com

JAPAN

Rotarex Japan Ltd
Tokyo
E-mail: japan@rotarex.com

INDIA

Rotarex ENGG. PVT. LTD.
Mumbai
E-mail: india@rotarex.com

THAILAND

Rotarex (Thailand) Co Ltd.
Pakkret
E-mail: thailand@rotarex.com

TAIWAN

Rotarex Taiwan
Taipei
E-mail: taiwan@rotarex.com

MIDDLE EAST / AFRICA

MIDDLE EAST

Rotarex Middle East
Dubai
E-mail: middle-east@rotarex.com



For more contact details go to
www.rotarexfiretec.com/locations