

## Overview

116DEXSTC-FJ hazardous location strobes are in-rush current limited life safety signaling appliances designed for installation in hazardous environments. Rigid specifications and state-of-the-art technology provide for high visual output and low maintenance.

When pendant, wall or ceiling mounted, the 116DEXSTC-FJ meets or exceeds the requirements of *UL 1971 Signaling Appliance for the Hearing Impaired*. Stanchion mount models are UL 1638 Listed for private mode emergency signaling. All models are CSFM Listed.

The 116DEXSTC-FJ is intended for indoor use in UL listed compatible fire alarm systems and other applications requiring electrical supervision of signaling circuit field wiring. Its strobe flashes a 360-degree beam of light approximately 65 times per minute with a UL 1971 60 cd wall and ceiling light output. In Canada, the 116DEXSTC-FJ is listed to *ULC-S526-02 Visible Signal Device for Fire Alarm Systems*, suitable for indoor and outdoor applications.

When assembled with an available mounting option, the 116DEXSTC-FJ is UL Listed for use in Class I, Division 1, Groups C and D, Class I, Division 2, Groups A, B, C and D, Class II Division 1, Group E, F and G, Class II, Division 2, Group F and G, and Class III Division 1 and 2 hazardous locations. This strobe is UL and cUL Listed as a Type 3R and 4X enclosure.

## Standard Features

- UL 1971 listed and ADA compliant for the hearing impaired
- Approved for fire alarm applications
- Bracket, ceiling or pendant mount
- Stanchion mount available for private mode signaling
- Diode polarized for use in electronically supervised circuits
- High impact glass dome
- 65 flashes per minute
- Factory sealed - no external seals required
- Quick connect - threads onto mounting module for easy installation
- Shock absorbing receptacle
- Easy to assemble and relamp
- Epoxy powder coat for corrosion resistance
- ULC-S526-02 listed for indoor and outdoor applications

# Hazardous Location Strobes

## 116DEXSTC-FJ



## Application

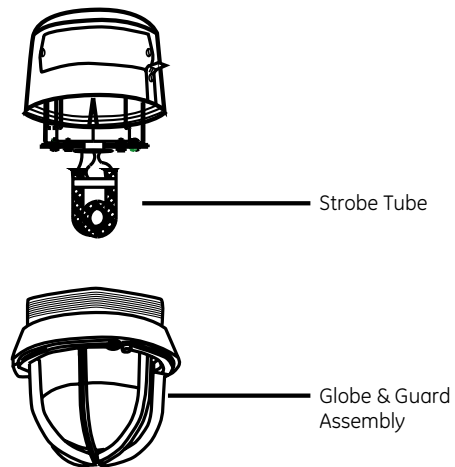
116DEXSTC-FJ hazardous location strobes are designed for use in compatible GE Security fire alarm systems and other applications requiring electrical supervision of signaling circuit field wiring.

These strobes are suitable for many locations including mines, granaries, flour mills, tankers, refineries, laboratories and other applications where environmental hazards may be present. 116DEXSTC-FJ strobes are particularly well-suited in areas of high noise levels where standard bells or horns are not satisfactory. They are suitable for indoor or outdoor applications, however, the UL 1971 rating is for indoor applications only.

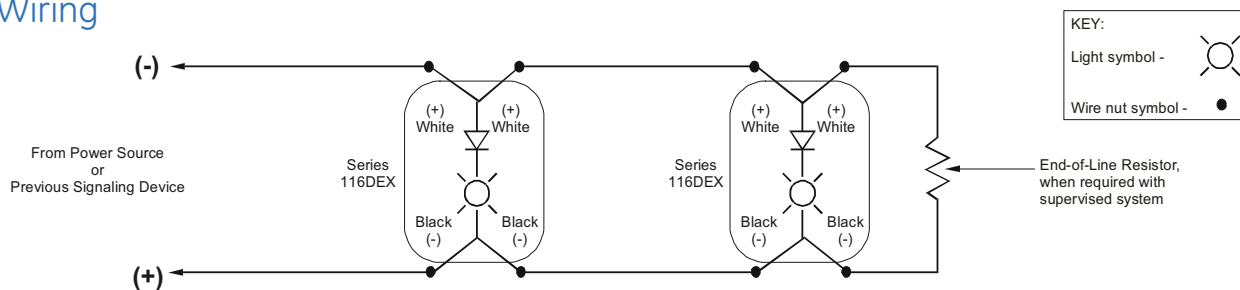
When pendant, wall, or ceiling mounted, 116DEXSTC-FJ strobes are ULC-S526-02 listed for indoor and outdoor applications and UL 1971 Listed (ADA compliant) for indoor visual signaling applications in non-sleeping areas. Stanchion mounted strobes are UL 1638 listed for private mode emergency signaling only. Stanchion mounting is not ULC-S526-02 listed as a visible signal device for fire alarm systems.

## Assembly

116DEXSTC-FJ signals come pre-assembled, but come apart easily for cleaning and relamping.



## Wiring



For non-fire alarm use, i.e. without field wire supervision, installer can tie the two white leads together and tie the two black leads together

### Notes:

1. DC Polarity of circuit shown in supervisory state (signal inactive). Circuit polarity to reverse to activate signal
2. Electrical supervision requires wire run to be broken at each device.
3. Device for constant input voltage. Do not connect to "coded" or pulsating voltage.
4. For non-fire alarm use, i.e.: without field wire supervision, the installer can tie the two white leads together and tie the two black leads together.

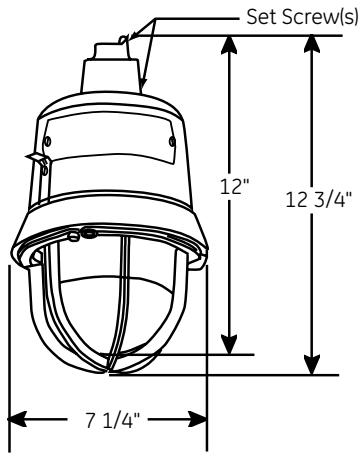
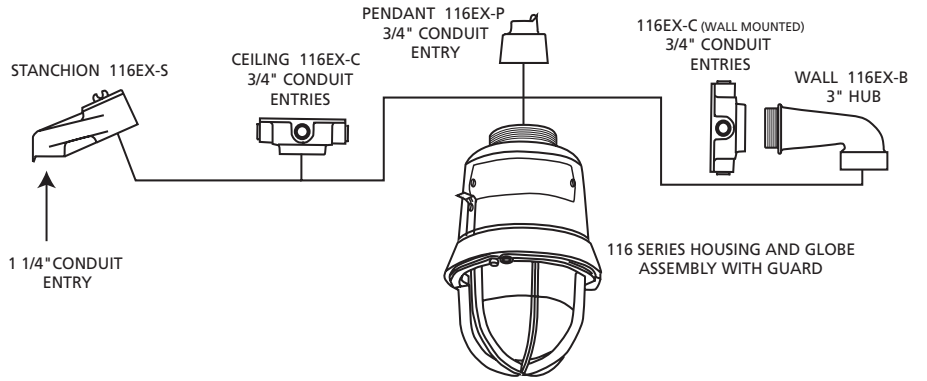
## Hazardous Location Listings

Operating Temperature					
Ambient Temperature	Supply Wire Temperature Marking	Class I, Div. 2 Groups A, B	Class I, Div. 1 & 2 Groups C, D	Class II, Div. 1 Groups E, F, G, & Class III	Class II, Div. 2 Groups F, G, & Class III
40 °C	75 °C	T2D (215 °C)	T6 (85 °C)	T4A (120 °C)	T4A (120 °C)
55 °C	90 °C	T2C (230 °C)	T6 (85 °C)	T4 (135 °C)	T4 (135 °C)
66 °C	105 °C	T2C (230 °C)	T6(85 °C)	T3C (160 °C)	T3C (160 °C)

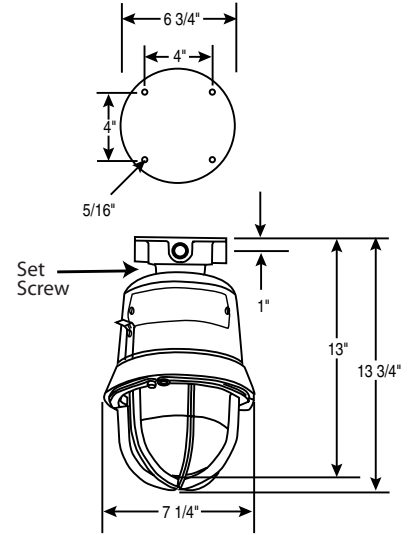
## Mounting

Thanks to its modular design, the 116DEXSTC-FJ configures for pendant, ceiling, wall, or stanchion mounting. See the ordering information table for available mounting modules.

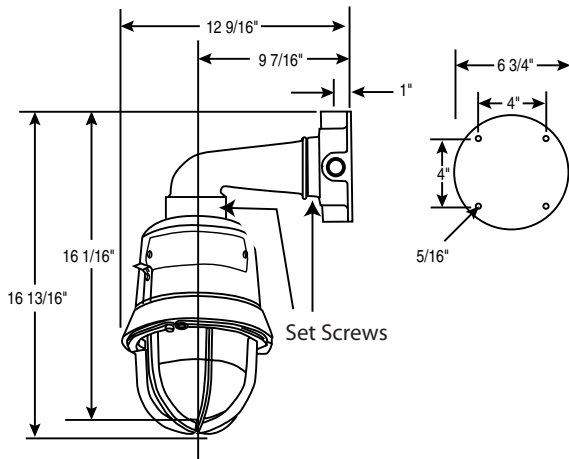
**Note:** Stanchion mounting option is not listed to UL 1971 or ULC-S526-02.



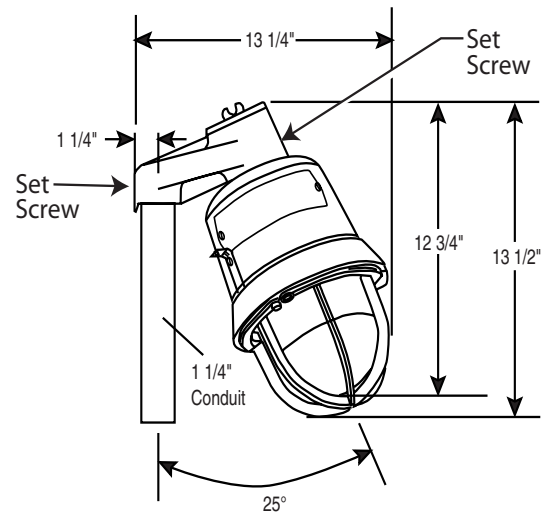
Pendant Mount



Ceiling Mount



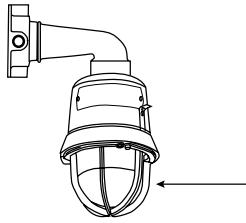
Wall Mount



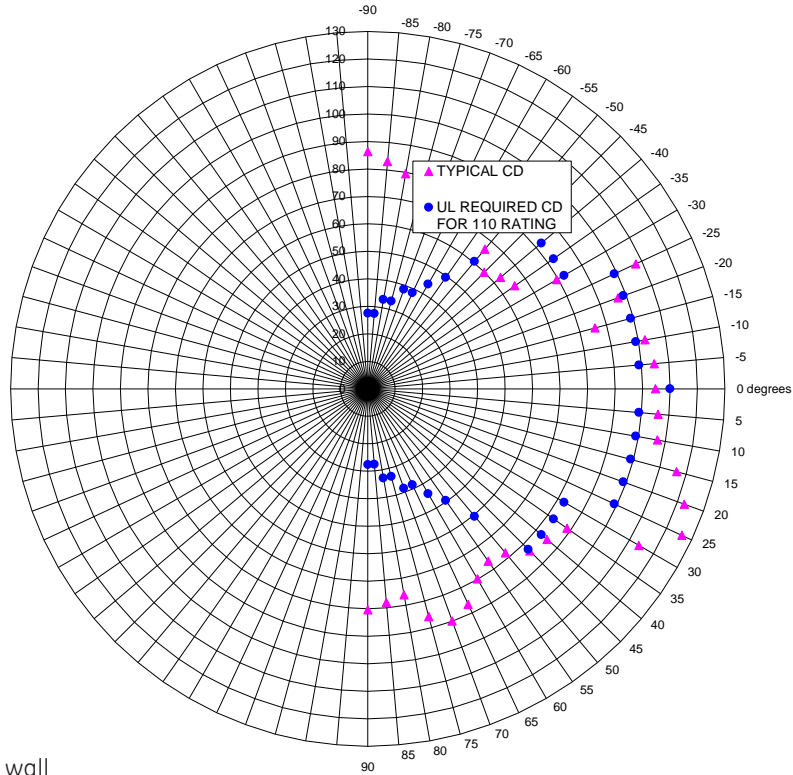
Stanchion Mount  
(for private mode signaling,  
not listed to UL UXWC and ULC-S526-02)

# Light Output

WALL BRACKET MOUNTING	UL1971 REQUIRED DISPERSION AS % OF CD RATING	
	VERTICAL PLANE	HORIZONTAL PLANE
zero	100%	100%
5	90%	90%
10	90%	90%
15	90%	90%
20	90%	90%
25	90%	90%
30	90%	75%
35	65%	75%
40	46%	75%
45	34%	75%
50	27%	55%
55	22%	45%
60	18%	40%
65	16%	35%
70	15%	35%
75	13%	30%
80	12%	30%
85	12%	25%
90	12%	25%
Compound 45	X	24%

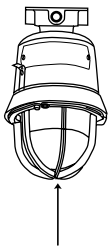


Effective Candela Light Output for Wall Bracket Mount  
Vertical Plane  
(Zero degree angle at side of globe)

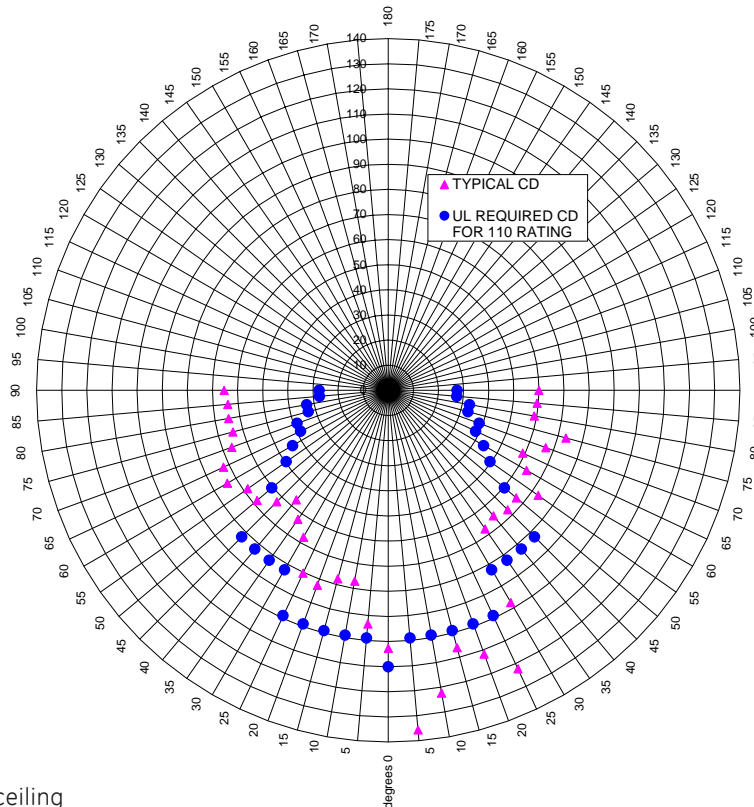


UL 1971 Hearing Impaired: 60 cd wall

CEILING MOUNTING	UL1971 REQUIRED X & Y PLANE DISPERSION AS % OF CD RATING	
	ANGLE (DEGREES)	
0	100%	
5	90%	
10	90%	
15	90%	
20	90%	
25	90%	
30	75%	
35	75%	
40	75%	
45	75%	
50	55%	
55	45%	
60	40%	
65	35%	
70	35%	
75	30%	
80	30%	
85	25%	
90	25%	
Compound 45		24%



Effective Candela Light Output for Ceiling Mount  
X & Y Planes  
(Zero degree angle at bottom of of globe)



UL 1971 Hearing Impaired: 60 cd ceiling

## Specifications

Mounting	Pendant, ceiling, wall, or stanchion
Rated strobe intensity	UL 1971(indoor) and ULC-S526-02 (indoor & outdoor): 60 cd
Flash Rate	65 fps
Agency Listings	UL, ULC, CSFM
UL Listed Hazardous Classifications	UL Listed for Class I, Division 1 Groups C & D, Division 2, Groups A, B, C & D; Class II, Division 1, Groups E, F & G, Division 2, Groups F & G, and Class III Divisions 1 & 2
ADA Compliance (pendant, ceiling, and wall applications*)	UL 1971 listed signaling appliance for the hearing impaired. Indoor, non-sleeping areas only.
NEMA Ratings	Type 3R, Type 4X, UL/ULC listed
Voltage Range	16 - 33 Vdc
Operating Current (RMS)	0.774 @ 24 Vdc (regulated) 1.140 @ 24 VFWR (regulated)
Operating Temperature	UL: -31 to 150° F (-35° C to 65° C) ULC: -40 to 150° F (-40° C to 66° C)
Lens Color	Clear polycarbonate
Strobe Type	Xenon - clear/nominal white flash
Finish	Gray powder coat epoxy
Weight	18 lbs (8.2 kg)

\* Stanchion mounted 116DEXSTC-FJ strobes are UL 1638 listed for private mode signaling. They are not listed to UL 1971 or ULC-S526-02.

## Ordering Information

Model	Description	Ship Wt.
116DEXSTC-FJ	Explosionproof Strobe, Diode Polarized	18 lbs 8.2 kg
116EX-B	Wall bracket mounting elbow	
116EX-C	Ceiling/wall mounting module	
116EX-P	Pendant mounting module - 3/4" (19 mm) NPT	
116EX-S	Stanchion mounting module - 1-1/4" (25 mm) NPT	
116-GRD	Lens Guard	
116-GLOBE	Replacement Globe	
92 -ST	Replacement Strobe Tube	

# GE Security

U.S.  
T 888-378-2329  
F 866-503-3996

Canada  
T 519 376 2430  
F 519 376 7258

Asia  
T 852 2907 8108  
F 852 2142 5063

Australia  
T 61 3 9259 4700  
F 61 3 9259 4799

Europe  
T 32 2 725 11 20  
F 32 2 721 86 13

Latin America  
T 305 593 4301  
F 305 593 4300

[www.gesecurity.com](http://www.gesecurity.com)

© 2006 General Electric Company  
All Rights Reserved



imagination at work